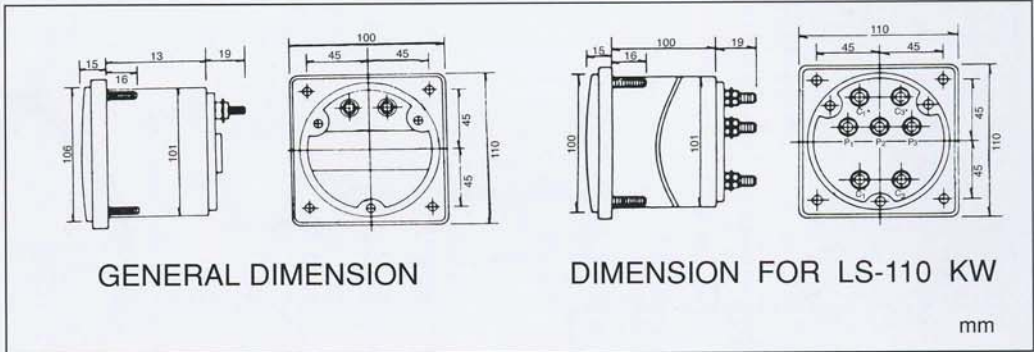
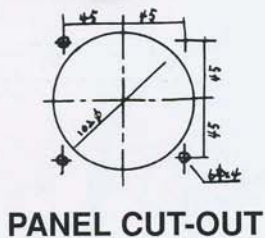


LONG SCALE INSTRUMENT



MEASURING RANGES:

LS-110A/V:

Moving Coil Type

DC uA	DC mA	DC A	DC V
500	1	1	30
	2	1.5	50
	5	2	100
	10	3	150
	20	5	300
	50	10	
	100	15	
	200	20	
	500	30	

Rectifier Type:

AC A	AC V
1	150
5	300
	500
	600

- For ranges higher than 30A DC, use external shunt with a 50mV DC ammeter.
- For ranges higher than 300v DC, use external Multiplier with a 1 mA Voltmeter.
- For ranges higher than 5A AC, use external Current Transformer with a 5A AC Ammeter.
- For ranges higher than 600V AC, use external Potential Transformer with a 150V AC Voltmeter.

LS-110KW: 110V,220V,380V,500V.1A,5A.

- For any rating other than listed above. use external Current transformer and/or external Potential Transformer with a 110V/5A instrument.

LS-110 COS φ : 110V,220V,380V,500V. 1A,5A.

- For any rating other than those listed above. use external Potential Transformer with a 110B/5A instrument.

LS-Hz: 110V,220V,380V,500V.

- For a voltage rating higher than above, use an external Potential Transformer with a 110V instrument.

ACCURACY: LS-110 A/V-Class 1.5

LS-110 KW-Class 1.5

LS-110 COS φ -4° in [phase angle].

LS-110 Hz-Class 1.5

FULL SCALE DEFLECTION: 250°

FULL SCALE LENGTH: 183MM, 7 1/4"

CASE AND COMPOSITION:

Acrylic Resin cover, plastic meter body, bakelite terminal plate.
four stud mounting.

COLOUR: White scale plate, black terminal plate. grey meter body.

POINTER: Sword type in black colour.